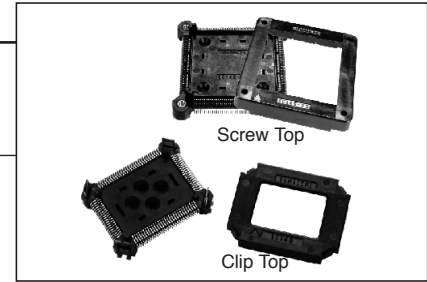


IC149 SERIES



ORDERING INFORMATION

IC149 — See part numbers, number of contacts, and pitches listed below under characteristics.

Socket Series

Options (All part numbers use the same symbols. A symbol may be in a different location, but it still represents the same option.):

- ★ Replace with:
 - “1” to Order With Positioning Pin
 - “0” to Order Without Positioning Pin
- # Replace with:
 - “S” to Order With SnPb Plate
 - “B” to Order With Au Plate
- + Replace with:
 - “Leave blank” to Order With Solder Tabs
 - “1” to Order Without Solder Tabs
- ▲ Only available without solder tabs
- Only available with solder tabs

Characteristics

Current Rating: 0.5A
 Insulation Resistance: See Characteristics Chart Below
 Withstanding Voltage: See Characteristics Chart Below
 Contact Resistance: 30mΩ | Max. at 10mA/20mV
 Operating Temperature: -25°C ~ +85°C
 Mating Cycles: 20 Insertions / Extractions

Material & Finish

Insulator: High Temp Thermoplastic-UL94V-0
 Contact: Copper Alloy
 Plating: Contacts: SnPb or Au over Ni
 Terminals: SnPb or Au over Ni
 Accessories: Covers (see page 50)
 Screws (see page 50)
 Emulation Adapters (see page 48)

Features

1. Zero insertion / extraction force
2. Two-piece socket
3. Optional solder tabs
4. IR/vapor-phase compatibility

CHARACTERISTICS

Part Number (1)	Number of Contacts	Pitch (mm)	Insulation Resistance	Withstanding Voltage	Cover Type (2)	Emulation Adaptor
IC149-044-*49-#5+	44	0.80	500MΩ	150V AC	S	ICP-044-2
IC149-044-*52-#5+	44	0.80	500MΩ	150V AC	S	N/A
IC149-048-*56-#5+	48	0.80	500MΩ	150V AC	S	N/A
IC149-064-*01-#5▲	64	1.00	700MΩ	700V AC	C	N/A
IC149-064-*08-#5▲	64	0.80	500MΩ	300V AC	S	ICP-064-2
IC149-064-*69-#5+	64	0.50	500MΩ	150V AC	S	N/A
IC149-064-*75-#5+	64	0.50	500MΩ	150V AC	S	ICP-064-6
IC149-080-*12-#5▲	80	0.80	500MΩ	300V AC	S	ICP-080-3-1
IC149-080-*17-#5▲	80	0.65	500MΩ	150V AC	S	ICP-080-4
IC149-080-*21-#5▲	80	0.80	500MΩ	300V AC	S	ICP-080-5
IC149-080-*30-#5+	80	0.50	500MΩ	100V AC	S	ICP-080-6-♣
IC149-080-*031-#5+	80	0.50	500MΩ	100V AC	S	ICP-080-6-♣
IC149-080-*51-#5+	80	0.65	500MΩ	150V AC	S	ICP-080-7
IC149-080-*58-#5+	80	0.50	500MΩ	150V AC	S	ICP-080-6-♣
IC149-080-*59-#5+	80	0.50	500MΩ	150V AC	S	ICP-080-6-♣
IC149-080K11301-0 (SnPb only)▲	80	0.65	500MΩ	150V AC	S	ICP-080-4
IC149-100-*05-#5▲	100	0.65	500MΩ	700V AC	C	Note (3)
IC149-100-*14-#5▲	100	0.65	500MΩ	150V AC	S	ICP-100-4-4
IC149-100-*25-#5+	100	0.50	500MΩ	100V AC	S	ICP-100-5-♣
IC149-100-*28-#5 (BQFP)▲	100	0.635	500MΩ	150V AC	S	ICP-100-6

IC149 SERIES

CHARACTERISTICS

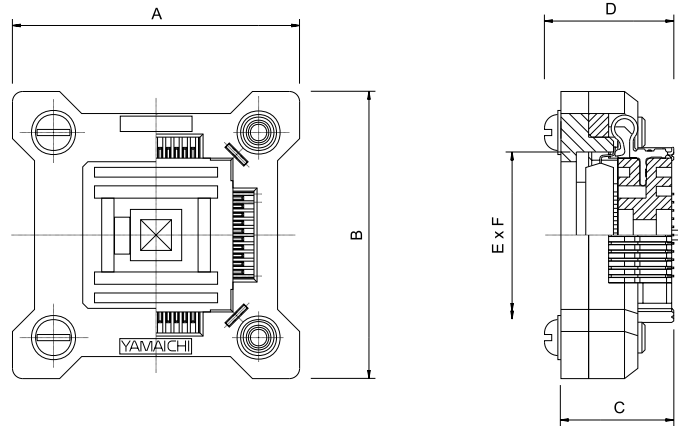
Part Number (1)	Number of Contacts	Pitch (mm)	Insulation Resistance	Withstanding Voltage	Cover Type (2)	Emulation Adaptor
IC149-100-*54-#5+	100	0.50	500MΩ	150V AC	S	ICP-100-5-♣
IC149-005K13230 (SnPb only)▲	100	0.65	500MΩ	700V AC	C	N/A
IC149-*05K13231-#▲	100	0.65	500MΩ	700V AC	C	N/A
IC149-KS-10823-* (SnPb only)▲	100	0.65	500MΩ	150V AC	S	N/A
IC149-112-*42-#5▲	112	0.65	500MΩ	150V AC	S	ICP-112-2
IC149-112C15333-0#▲	112	0.65	500MΩ	150V AC	S	ICP-112-2
IC149-112K14672-* (SnPb only)▲	112	0.65	500MΩ	150V AC	S	N/A
IC149-120-*43-#5+	120	0.40	500MΩ	150V AC	S	ICP-120-2
IC149-132-*15-#5▲	132	0.635	500MΩ	150V AC	S	N/A
IC149-144-*45-#5+	144	0.50	500MΩ	150V AC	S	ICP-144-1
IC149-144K11453-*#■	144	0.65	500MΩ	150V AC	S	ICP-160-1
IC149-152KS11226-*#■	152	0.65	500MΩ	150V AC	S	ICP-160-1
IC149-160-*23-#5■	160	0.65	500MΩ	150V AC	S	ICP-160-1
IC149-160K14577-*#■	160	0.65	500MΩ	150V AC	S	N/A
IC149-160-*50-#5+	160	0.50	500MΩ	150V AC	S	N/A
IC149-176-*66-#5+	176	0.50	500MΩ	150V AC	S	N/A
IC149-208-*61-#5+	208	0.50	500MΩ	150V AC	S	N/A
IC149-240-*67-#5+	240	0.50	500MΩ	150V AC	S	N/A
IC149-256K12624-S (SnPb only)*■	256	0.50	500MΩ	150V AC	S	N/A
IC149-272-029-#5■	272	0.50	500MΩ	100V AC	S	N/A

Notes:

- (1) Contact factory regarding heat sink packages
- (2) S = Screw Type C = Clip Type
- (3) Replace the IC149-100-*05- #5▲ with socket IC149-KS11113-*▲ which mates with emulation adapter ICP-100-4t

IC149 SERIES

Socket Dimensions *(reference only)*

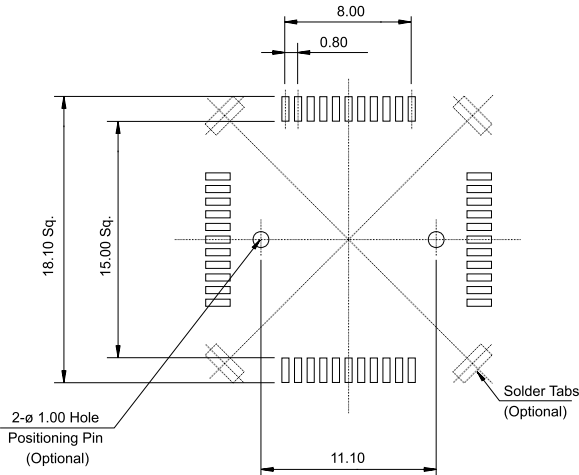


Part Number	Contacts	Pitch	A	B	C	D	EXF
IC149-044-*49-#5+	44	0.80	28.00	28.00	11.00	12.60	16.20 SQ.
IC149-044-*52-#5+	44	0.80	24.20	24.20	11.00	12.60	11.50 SQ.
IC149-048-*56-#5+	48	0.80	24.80	24.80	11.00	12.60	12.10 SQ.
IC149-064-*01-#5▲	64	1.00	30.15	23.65	8.60	—	23.00 x 17.00
IC149-064-*08-#5▲	64	0.80	26.00	26.00	8.50	10.10	16.20 SQ.
IC149-064-*69-#5+	64	0.50	25.00	25.00	11.00	12.60	11.30 SQ.
IC149-064-*75-#5+	64	0.50	25.00	25.00	13.20	14.80	11.30 SQ.
IC149-080-*12-#5▲	80	0.80	32.20	26.60	11.50	13.10	23.00 x 17.00
IC149-080-*17-#5▲	80	0.65	26.00	26.00	8.10	9.70	16.00 SQ.
IC149-080-*21-#5▲	80	0.80	32.20	26.60	8.50	10.10	22.10 x 16.10
IC149-080-*30-#5+	80	0.50	25.00	25.00	11.00	13.20	13.24 SQ.
IC149-080-031-#5+	80	0.50	25.00	25.00	11.00	13.20	12.84 SQ.
IC149-080-*51-#5+	80	0.65	28.00	28.00	11.00	12.60	15.30 SQ.
IC149-080-*58-#5+	80	0.50	24.00	24.00	13.20	15.40	13.30 SQ.
IC149-080-*59-#5+	80	0.50	24.00	24.00	13.20	15.40	12.90 SQ.
IC149-080K11301-0 (SnPb only)▲	80	0.65	26.00	26.00	8.10	9.70	16.00 SQ.
IC149-100-*05-#5▲	100	0.65	30.15	23.65	8.60	—	23.00 x 17.00
IC149-100-*14-#5▲	100	0.65	32.20	26.60	8.50	10.10	22.40 x 16.40
IC149-100-*25-#5+	100	0.50	27.00	27.00	11.00	13.20	15.30 SQ.
IC149-100-*28-#5 (BQFP)▲	100	0.635	32.00	32.00	11.15	12.75	21.20 SQ.
IC149-100-*54-#5+	100	0.50	27.00	27.00	13.20	15.40	15.30 SQ.
IC149-005K13230 (SnPb only)▲	100	0.65	30.15	23.65	8.60	—	23.00 x 17.00
IC149-*05K13231-#▲	100	0.65	30.15	23.65	8.60	—	23.00 x 17.00
IC149-KS-10823-* (SnPb only)▲	100	0.65	32.20	26.60	8.50	10.10	22.40 x 16.40
IC149-112-*42-#5▲	112	0.65	32.00	32.00	11.15	12.75	22.00 SQ.
IC149-112C15333-0#▲	112	0.65	32.00	32.00	11.15	12.75	22.00 SQ.
IC149-112K14672-* (SnPb only)▲	112	0.65	32.00	32.00	11.15	12.75	22.00 SQ.
IC149-120-*43-#5+	120	0.40	28.00	28.00	13.20	14.80	15.30 SQ.
IC149-132-*15-#5▲	132	0.635	36.05	36.05	9.16	11.36	26.55 SQ.
IC149-144-*45-#5+	144	0.50	34.20	34.20	12.30	12.60	21.14 SQ.
IC149-144K11453-*#■	144	0.65	40.00	40.00	9.90	11.50	30.60 SQ.
IC149-152KS11226-*#■	152	0.65	40.00	40.00	9.90	11.50	30.60 SQ.
IC149-160-*23-#5■	160	0.65	40.00	40.00	9.90	11.50	30.60 SQ.
IC149-160K14577-*#■	160	0.50	40.00	40.00	9.90	11.50	30.60 SQ.
IC149-160-*50-#5+	160	0.65	39.00	39.00	12.30	12.60	25.30 SQ.
IC149-176-*66-#5+	176	0.50	39.00	39.00	12.30	12.60	25.30 SQ.
IC149-208-*61-#5+	208	0.50	43.60	43.60	12.30	12.60	29.90 SQ.
IC149-240-*67-#5+	240	0.50	47.60	47.60	12.30	12.60	33.90 SQ.
IC149-256K12624-S(SnPb only)*■	256	0.50	51.00	51.00	12.00	14.20	37.90 SQ.
IC149-272-029-#5■	272	0.50	51.00	51.00	12.00	14.20	37.90 SQ.

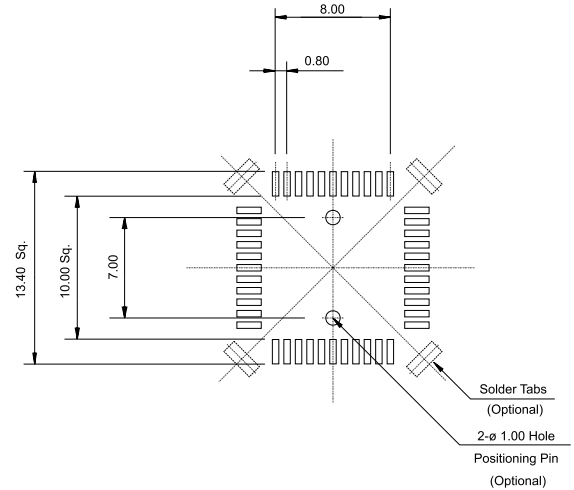
IC149 SERIES

PCB Layouts *(reference only)*

IC149-044-*49-#5+

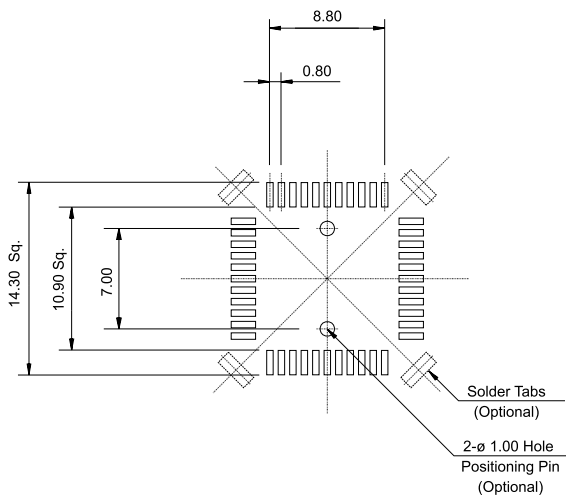


IC149-044-*52-#5+

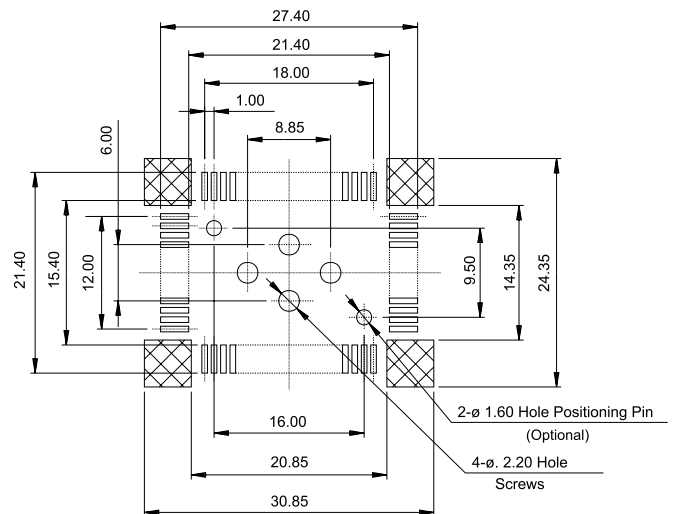


Prototyping
Emulation
Sockets

IC149-048-*56-#5+



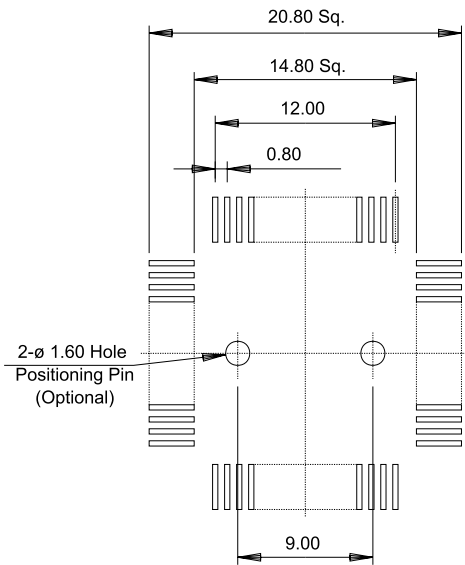
IC149-064-*01-#5▲



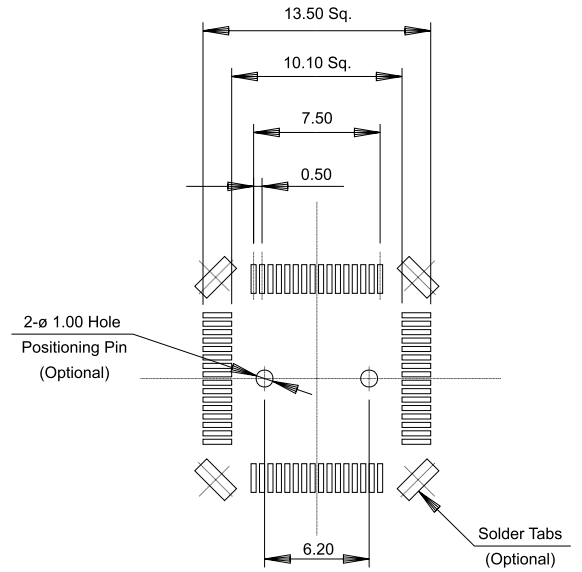
IC149 SERIES

Socket Dimensions *(reference only)*

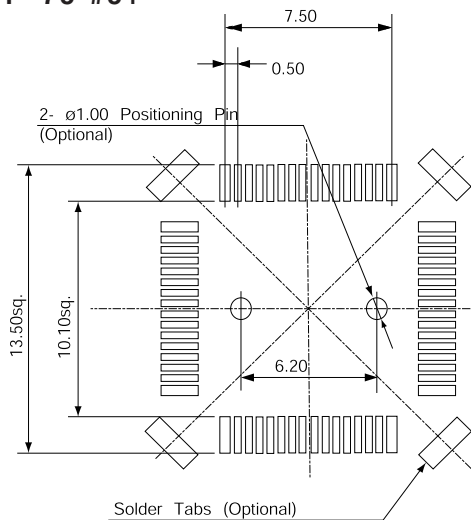
IC149-064-*08-#5▲



IC149-064-*69-#5+



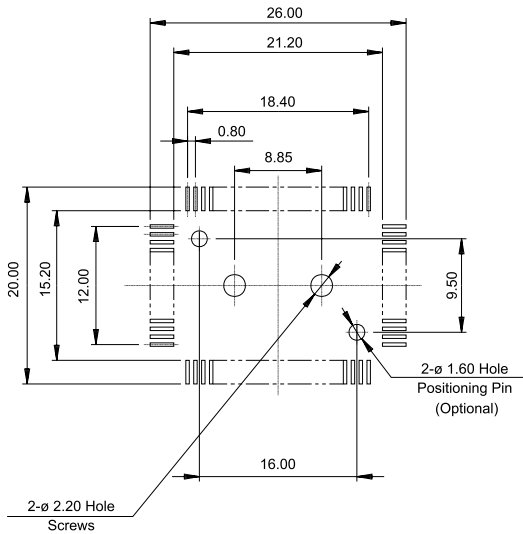
IC149-064-*75-#5+



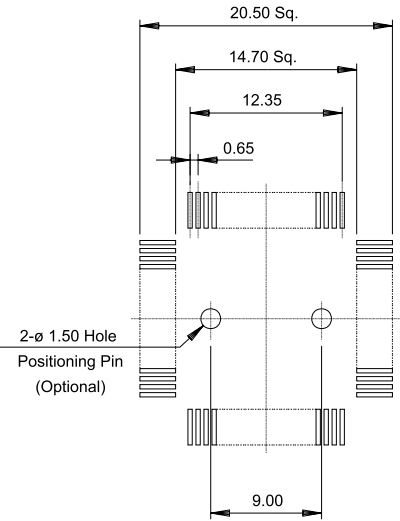
IC149 SERIES

PCB Layouts (reference only)

IC149-080-*12-#5▲

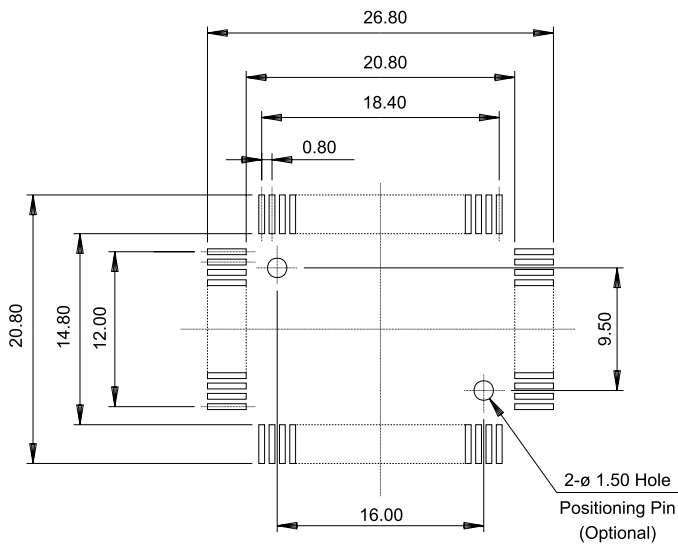


IC149-080-*17-#5▲

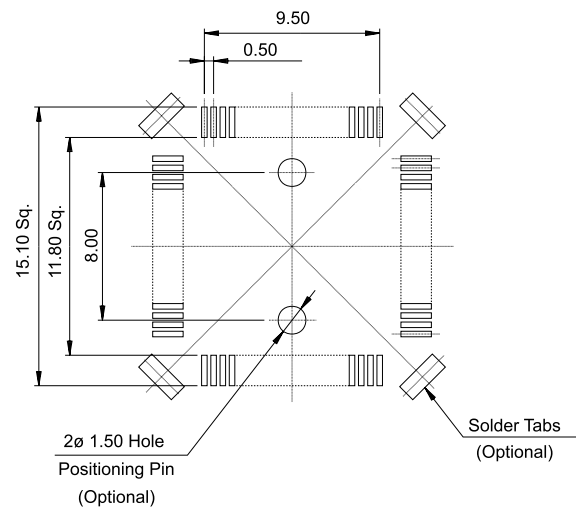


Prototyping
Emulation
Sockets

IC149-080-*21-#5▲



IC149-080-*30-#5+

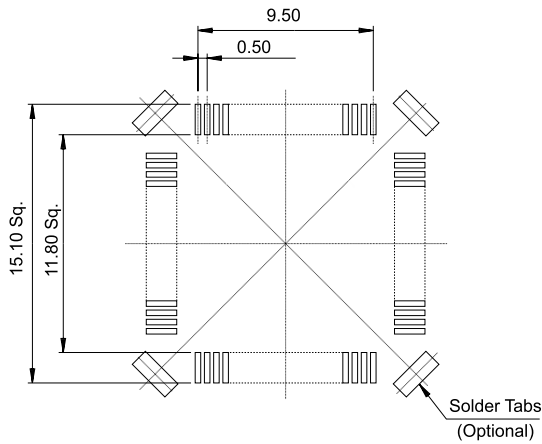


QFP Prototyping SMT

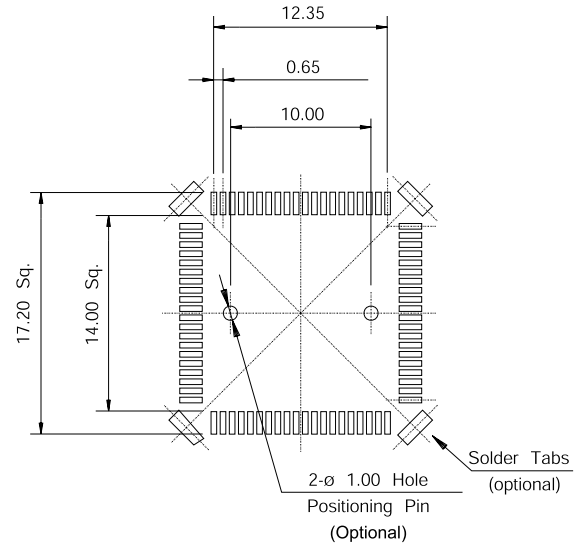
IC149 SERIES

Socket Dimensions *(reference only)*

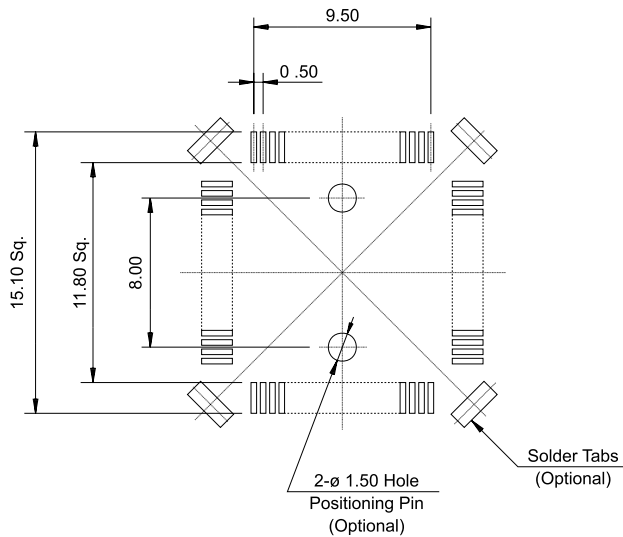
IC149-080-031-#5+



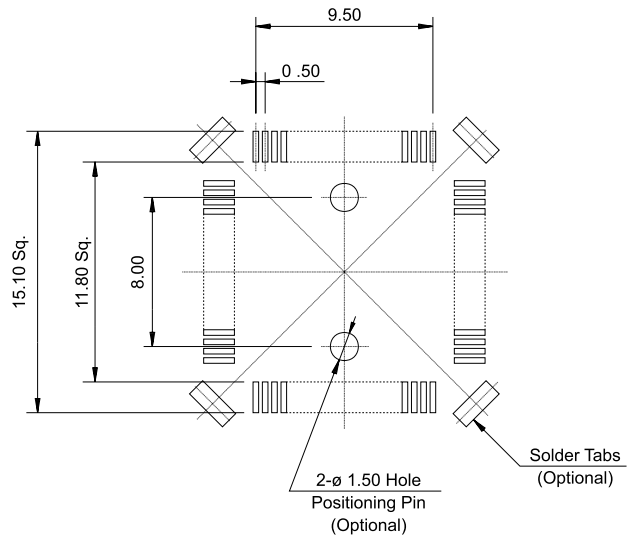
IC149-080-*51-#5+



IC149-080-*58-#5+



IC149-080-*59-#5+

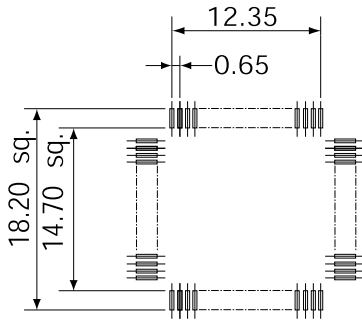


IC149 SERIES

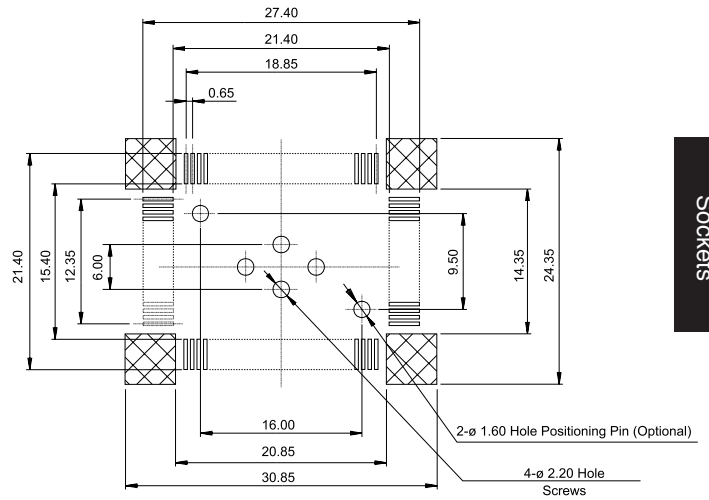
PCB Layouts *(reference only)*

IC149-080K11301-0▲

IC149-080K11301-0

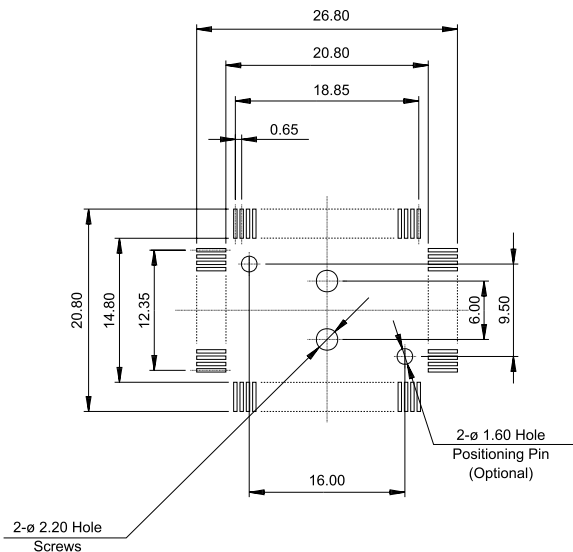


IC149-100-*05-#5▲

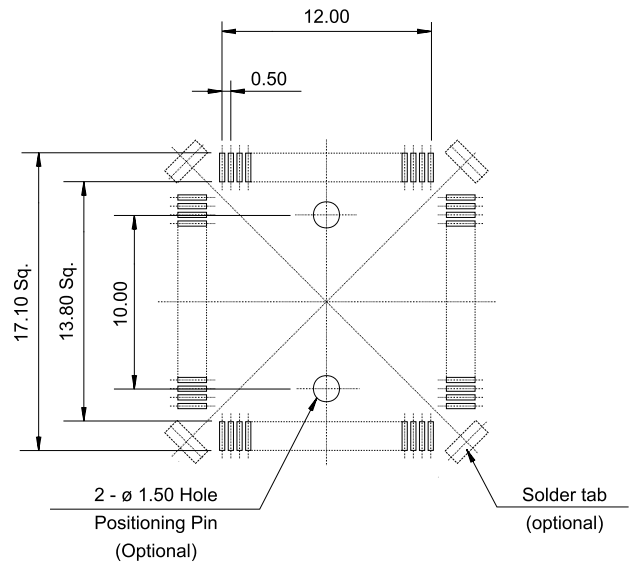


Prototyping
Emulation
Sockets

IC149-100-*14-#5▲



IC149-100-*25-#5+

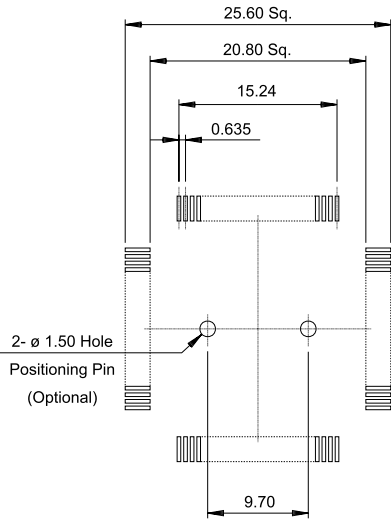


QFP Prototyping SMT

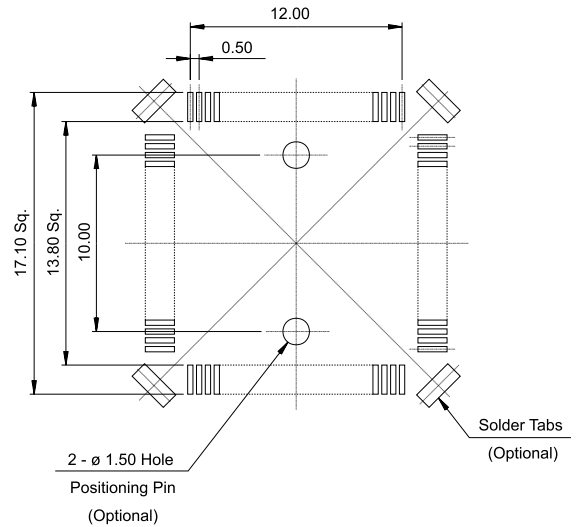
IC149 SERIES

Socket Dimensions *(reference only)*

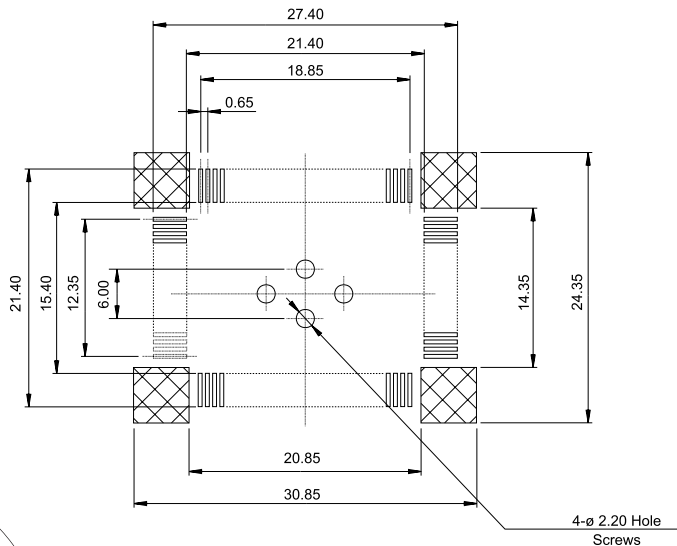
IC149-100-*28-#5▲



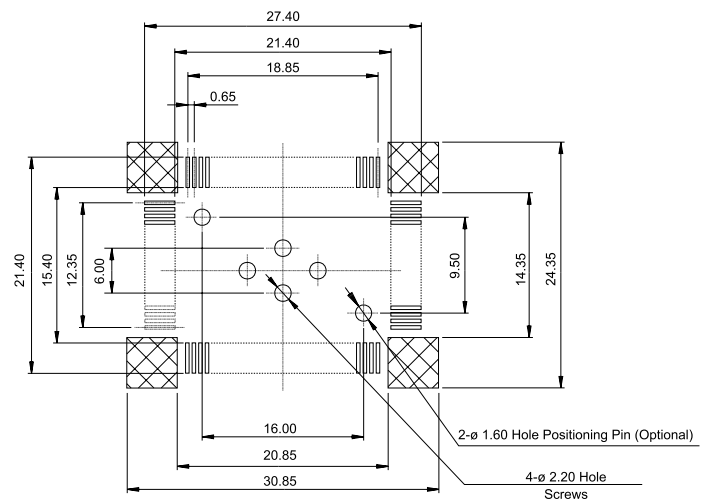
IC149-100-*54-#5+



IC149-005K13230▲



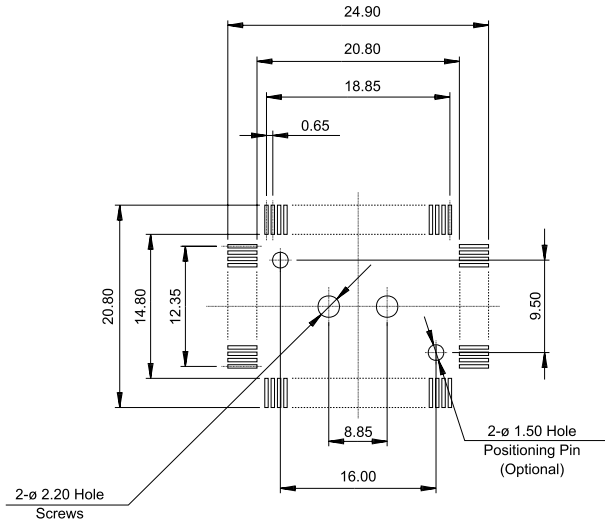
IC149-*05K13231-#▲



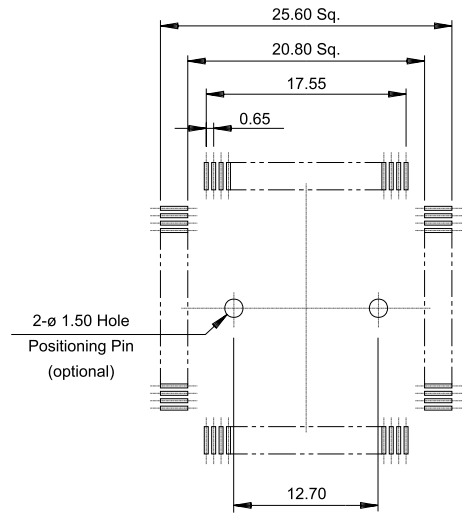
IC149 SERIES

PCB Layouts *(reference only)*

IC149-KS-10823-*▲

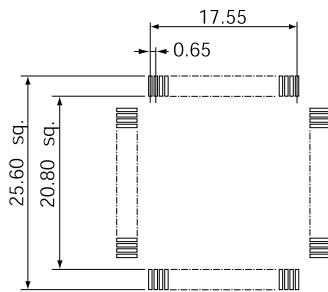


IC149-112-*42-#5▲

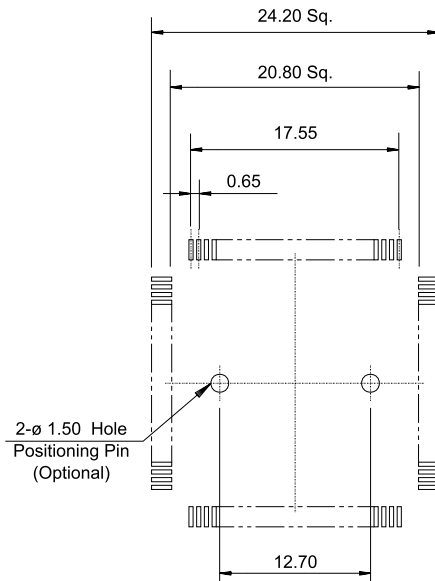


Prototyping
Emulation
Sockets

IC149-112C15333-0#▲



IC149-112K14672-*▲

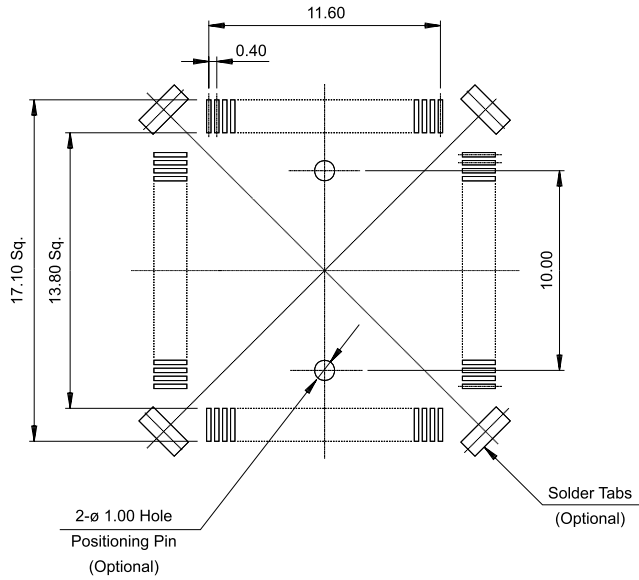


QFP Prototyping SMT

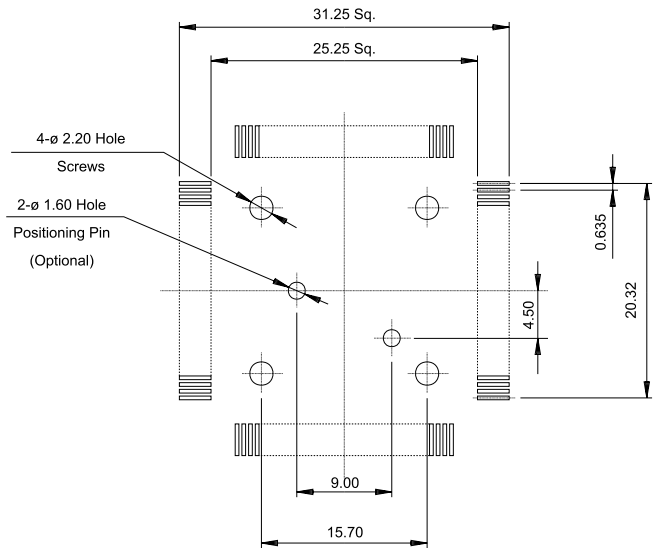
IC149 SERIES

PCB Layouts (reference only)

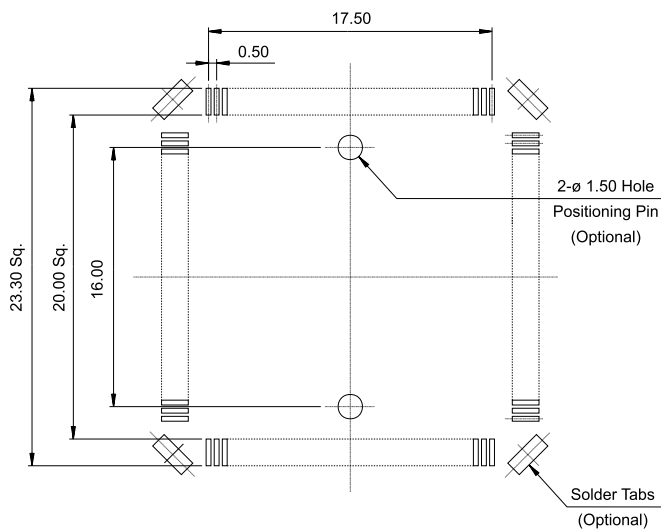
IC149-120-*43-#5+



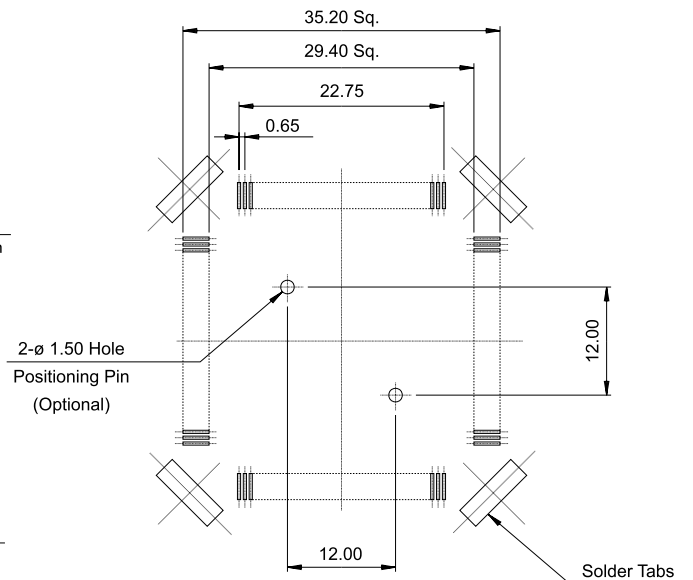
IC149-132-*15-#5▲



IC149-144-*45-#5+



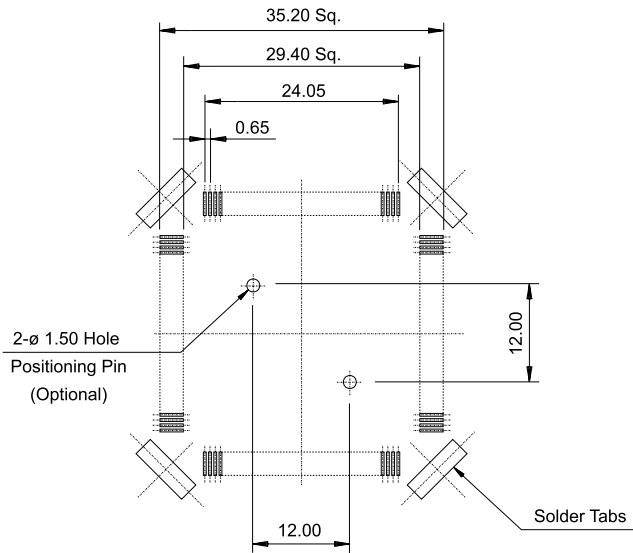
IC149-144K11453-*# ■



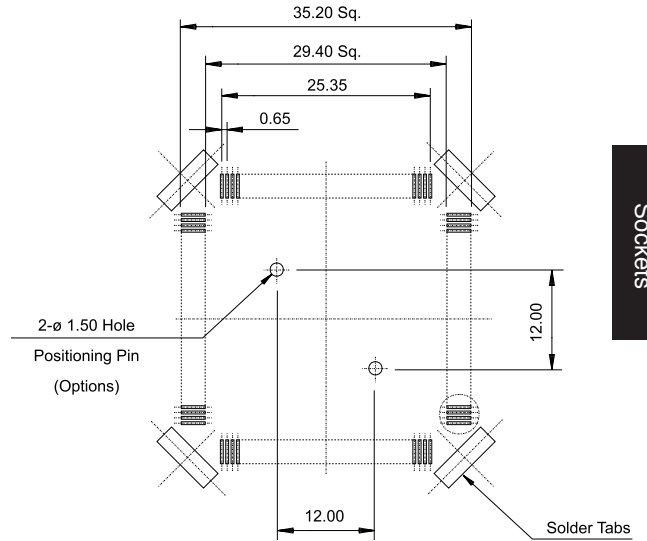
IC149 SERIES

PCB Layouts (reference only)

IC149-152KS11226-*# ■

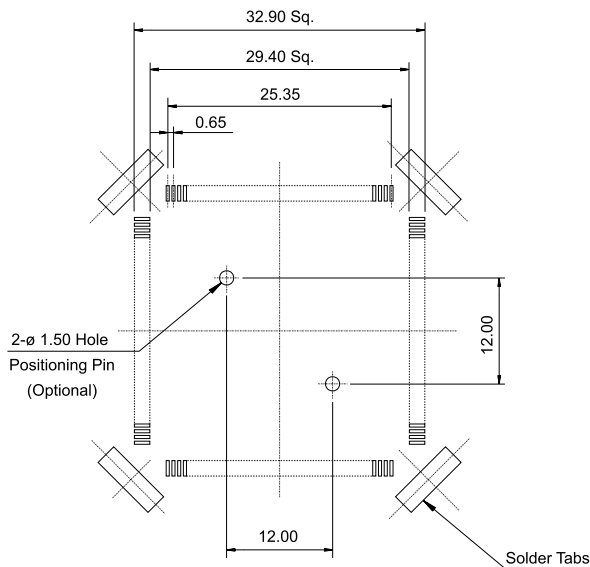


IC149-160-*23-#5■

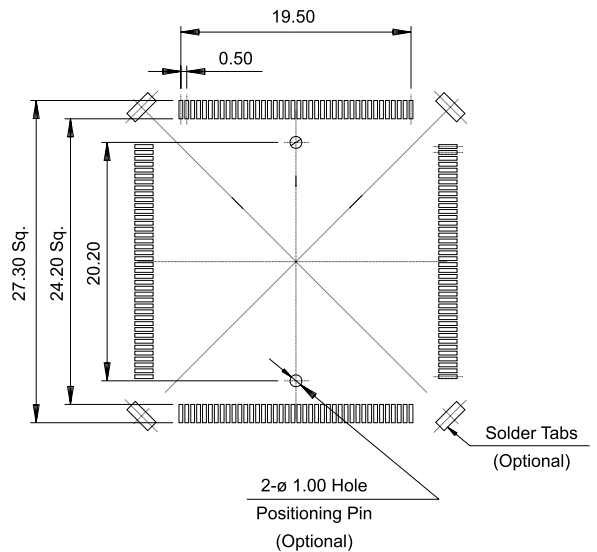


Prototyping
Emulation
Sockets

IC149-160K14577-*# ■



IC149-160-*50-#5+

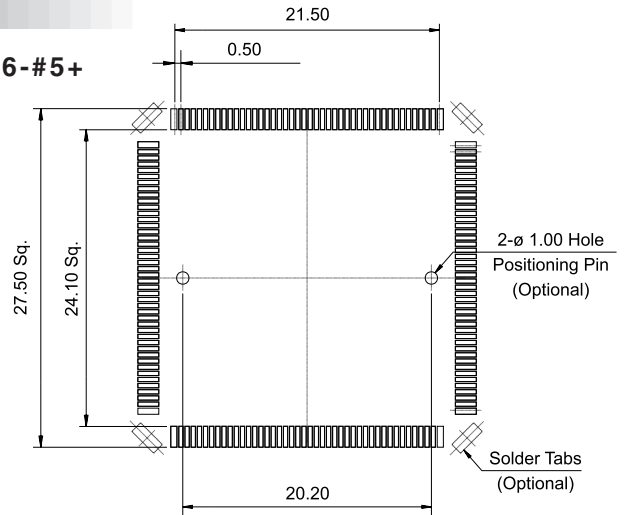


QFP Prototyping SMT

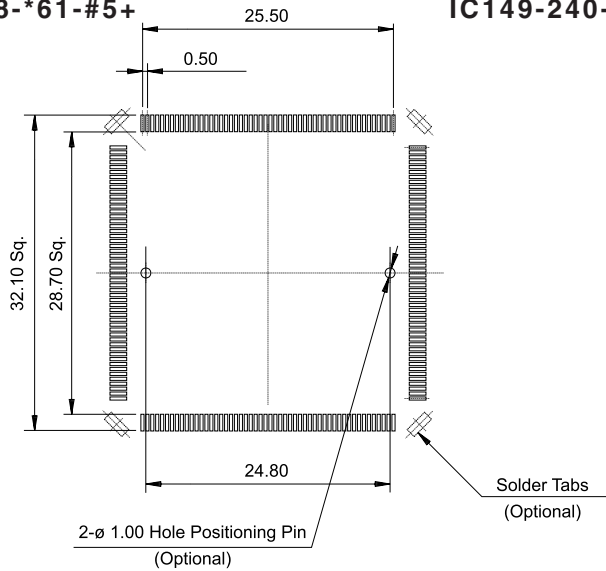
IC149 SERIES

PCB Layouts *(reference only)*

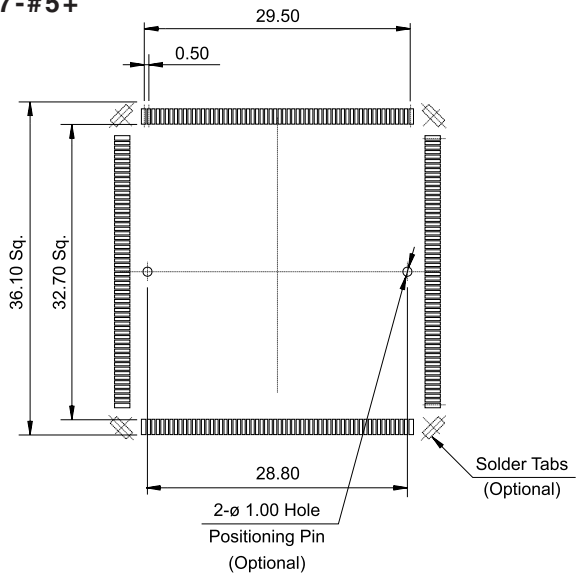
IC149-176-*66-#5+



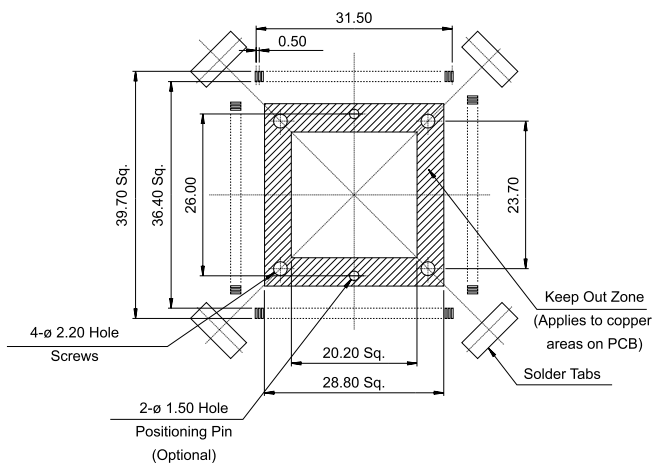
IC149-208-*61-#5+



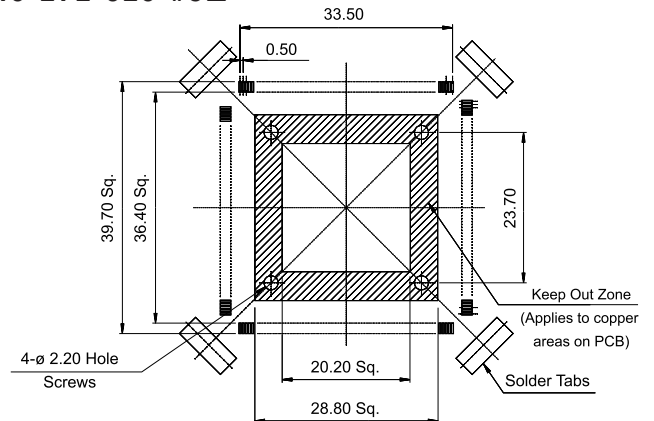
IC149-240-*67-#5+



IC149-256K12624-S*■

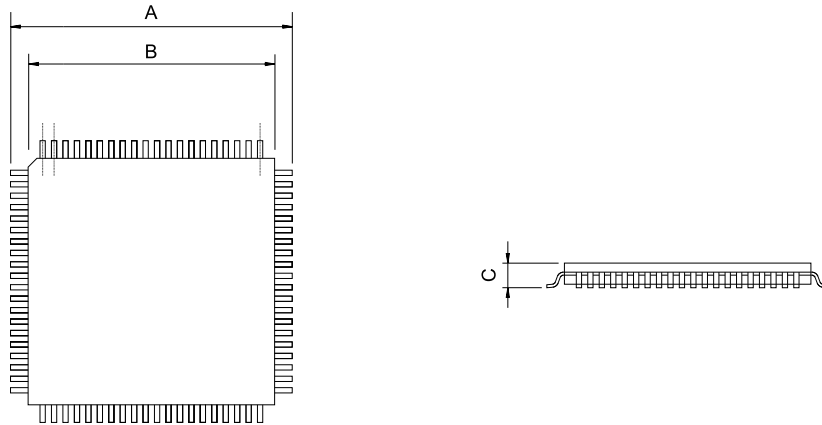


IC149-272-029-#5■



IC149 SERIES

IC Outline Dimensions *(reference only)*



Prototyping
Emulation
Sockets

IC Dimensions *(reference only)*

Number of Contacts	Pitch (mm)	A IC Tip-to-Tip (mm)	B IC Body Size (mm)	C IC Package Thickness (mm)	Part Number
44	0.80	17.20 x 17.20	14.00 x 14.00	3.05	IC149-044-*49-#5+
44	0.80	12.65 x 12.65	10.00 x 10.00	2.51 (Ceramic)	IC149-044-*52-#5+
44	0.80	12.20 x 12.20	10.00 x 10.00	1.95 (Plastic)	IC149-044-*52-#5+
48	0.80	13.10 x 13.10	10.00 x 10.00	2.35	IC149-048-*56-#5+
64	1.00	17.60-20.10 x 23.60-26.10	14.00 x 20.00	3.05	IC149-064-*01-#5▲
64	0.80	17.20 x 17.20	14.00 x 14.00	4.85 (Ceramic)	IC149-064-*08-#5▲
64	0.80	17.20 x 17.20	14.00 x 14.00	2.25 (Plastic)	IC149-064-*08-#5▲
64	0.50	12.00 x 12.00	10.00 x 10.00	1.60	IC149-064-*69-#5+
64	0.50	12.00 x 12.00	10.40 x 10.40	1.55	IC149-064-*75-#5+
80	0.80	18.80 x 24.80	14.00 x 20.00	3.05	IC149-080-*12-#5▲
80	0.65	17.20 x 17.20	14.00 x 14.00	3.00	IC149-080-*17-#5▲
80	0.80	17.20 x 23.20	13.20 x 21.40	2.9 (Ceramic)	IC149-080-*21-#5▲
80	0.80	17.20 x 23.20	14.00 x 20.00	2.9 (Plastic)	IC149-080-*21-#5▲
80	0.50	14.00 x 14.00	12.00 x 12.00	2.70 (Ceramic)	IC149-080-*30-#5+
80	0.50	14.00 x 14.00	12.00 x 12.00	2.80 (Plastic)	IC149-080-*30-#5+
80	0.50	13.60 x 13.60	12.00 x 12.00	1.20	IC149-080-031-#5+
80	0.65	16.00 x 16.00	14.00 x 14.00	1.40	IC149-080-*51-#5+
80	0.50	14.00 x 14.00	12.00 x 12.00	2.80	IC149-080-*58-#5+
80	0.50	13.60 x 13.60	12.00 x 12.00	1.20	IC149-080-*59-#5+
80	0.65	17.20 x 17.20	14.00 x 14.00	3.10	IC149-080K11301-0(SnPb only)▲
100	0.65	17.60-20.10 x 23.60-26.10	14.00 x 20.00	2.90	IC149-100-*05-#5▲
100	0.65	17.20 x 23.20	14.00 x 20.00	3.50	IC149-100-*14-#5▲
100	0.50	16.00 x 16.00	14.00 x 14.00	2.90	IC149-100-*25-#5+
100	0.635	22.94 x 22.94	19.13 x 19.13	2.79	IC149-100-*28-#5 (BQFP)▲
100	0.50	16.00 x 16.00	14.00 x 14.00	2.90	IC149-100-*54-#5+
100	0.65	17.60-20.10 x 23.60-26.10	14.00 x 20.00	2.90	IC149-005K13230 (SnPb only)▲
100	0.65	17.60-20.10 x 23.60-26.10	14.00 x 20.00	2.90	IC149-*05K13231-#▲
100	0.65	17.20 x 23.20	14.00 x 20.00	3.50	IC149-KS-10823-* (SnPb only)▲
112	0.65	23.20 x 23.20	20.00 x 20.00	3.05	IC149-112-*42-#5▲
112	0.65	23.20 x 23.20	20.00 x 20.00	3.05	IC149-112C15333-0#▲
112	0.65	23.20 x 23.20	20.00 x 20.00	3.05	IC149-112K14672-* (SnPb only)▲
120	0.40	16.00 x 16.00	14.00 x 14.00	2.90	IC149-120-*43-#5+
132	0.635	27.43 x 27.43	22.36 x 22.36	3.36	IC149-132-*15-#5▲
144	0.50	22.00 x 22.00	20.00 x 20.00	1.70	IC149-144-*45-#5+
144	0.65	32.00 x 32.00	28.00 x 28.00	4.00	IC149-144K11453-*#■
152	0.65	32.00 x 32.00	28.00 x 28.00	4.00	IC149-152KS11226-*#■
160	0.65	32.00 x 32.00	28.00 x 28.00	4.00	IC149-160-*23-#5■
160	0.65	32.00 x 32.00	28.00 x 28.00	4.00	IC149-160K14577-*#■
160	0.50	26.00 x 26.00	24.00 x 24.00	2.00	IC149-160-*50-#5+
176	0.50	26.00 x 26.00	24.00 x 24.00	1.80	IC149-176-*66-#5+
208	0.50	30.60 x 30.60	28.00 x 28.00	4.07	IC149-208-*61-#5+
240	0.50	34.60 x 34.60	32.00 x 32.00	4.10	IC149-240-*67-#5+
256	0.50	39.64 x 39.64	36.00 x 36.00	3.43	IC149-256K12624-S(SnPb only)*■
272	0.50	39.64 x 39.64	36.00 x 36.00	3.43	IC149-272-029-#5■